

HC10 Series Analog Module

User Manual



Size and Gross Weight	1
Structure Description	2
L0303A Terminal Description	4
L0402A Terminal Description	5
L0800A Terminal Description	6
Product Specifications	7
General Specifications.....	7
Analog Input Specifications (L0303A/L0800A).....	8
Analog Input Specifications (L0402A).....	9
Analog Output Specifications (L0303A)	10
Analog Output Specifications (L0402A)	11
Instructions	12
Instruction Description (FROM, TO, RD3A)	14
Module Data Address Description (L0303A/L0800A)	16
Module Data Address Description (L0402A).....	17



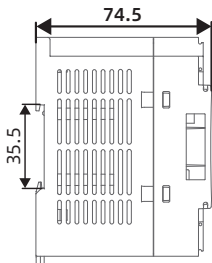
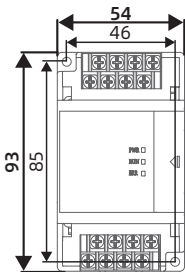
Warning

- **Be sure to check the terminal label carefully when wiring.**
- **Avoid installation in places exposed to direct sunlight, moisture, or water.**
- **Avoid installation in locations with flammable and explosive gases and liquids.**
- **Avoid installation in areas with oily dust, fibers and metal particles.**
- **Use rails or M3 screws for installation.**

Size and Gross Weight

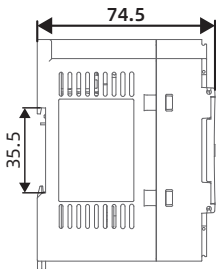
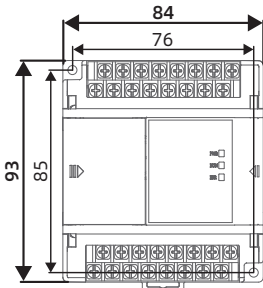
1

GW: 0.25kg



2

GW: 0.3kg

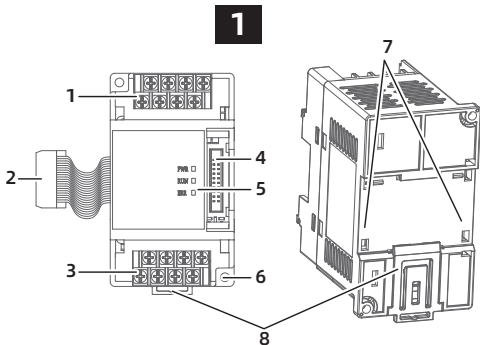


Unit: mm

Structure Description

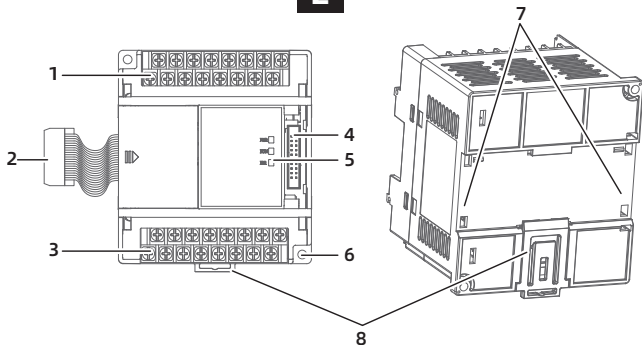
1/3	Input and output terminal
2	Extension cable
4	Expansion port
5	Power/run/fault indicator LED

6	Mounting fixing hole (M3)
7	DIN guideway groove (35mm)
8	DIN rail fixing buckle

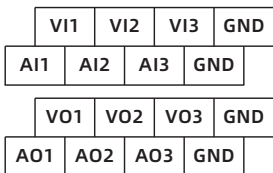


Structure Description (Continued)

2



L0303A Terminal Description



Model

HC10-L0303A

Analog Input

Voltage VI1 ~ VI3 (GND)

Current AI1 ~ AI3 (GND)

Analog Output

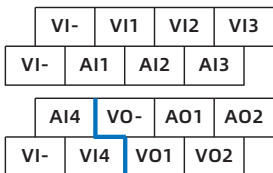
Voltage VO1 ~ VO3 (GND)

Current AO1 ~ AO3 (GND)

Size and Structure

Size and structure Figure 1

L0402A Terminal Description



Model

HC10-L0402A

Analog Input

Voltage VI1 ~ VI4 (VI-)

Current AI1 ~ AI4 (VI-)

Analog Output

Voltage VO1, VO2 (VO-)

Current AO1, AO2 (VO-)

Size and Structure

Size and structure Figure 1

L0800A Terminal Description

VI1	.	VI2	.	VI3	.	VI4	.
AI1	GND	AI2	GND	AI3	GND	AI4	GND
AI5	GND	AI6	GND	AI7	GND	AI8	GND
.	VI5	.	VI6	.	VI7	.	VI8

Model

HC10-L0800A

Analog Input

Voltage VI1 ~ VI8 (GND)

Current AI1 ~ AI8 (GND)

Size and Structure

Size and structure Figure 2

Product Specifications

General Specifications

Environmental Temperature	Run: -10 ~ +55°C Storage: -40 ~ +70°C
Relative Humidity	5 ~ 95%, no condensation
Altitude	Run: <2000m Storage: 0 ~ 3000m (not less than 70kPa)
Pollution Level	Pollution level 2

Analog Input Specifications (L0303A/L0800A)

Connection	Barrier terminal block (end point distance: 7.62mm)	
Form	Voltage or current optional	
Negative Common	GND	
Range	Voltage: 0 ~ 10V	Current: 0 ~ 20mA
Resistance	Voltage: 31k Ω	Current: 500 Ω
Resolution	Voltage: 0.3125mV (10V / 32000)	Current: 0.625uA (20mA / 32000)
Digital Input	0 ~ 32000	
Comprehensive Accuracy	$\pm 1\%$ full range	

Analog Input Specifications (L0402A)

Connection	Barrier terminal block (end point distance: 7.62mm)	
Form	Voltage or current optional	
Negative Common	VI-	
Range	Voltage: 0 ~ 5V, 0 ~ 10V -5 ~ +5V, -10 ~ +10V	Current: 0 ~ 20mA, 4 ~ 20mA -20 ~ +20mA
Resistance	Voltage: 1k Ω	Current: 250 Ω
Resolution	Voltage (V): Full range / 32000	Current (mA): Full range / 32000
Digital Input	-16000 ~ +16000, 0 ~ 32000	
Comprehensive Accuracy	$\pm 0.1\%$ full range	

Analog Output Specifications (L0303A)

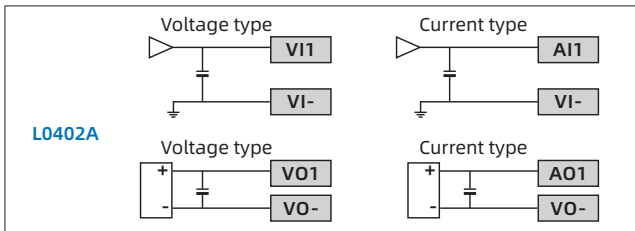
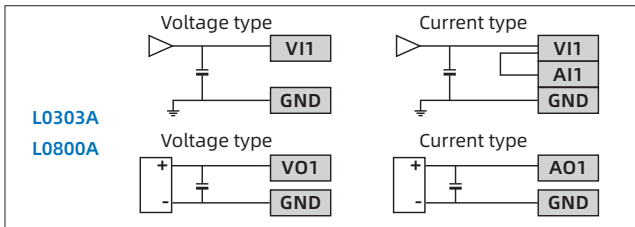
Connection	Barrier terminal block (end point distance: 7.62mm)	
Form	Voltage or current optional	
Negative Common	GND	
Range	Voltage: 0 ~ 10V	Current: 0 ~ 20mA
Resistance	Voltage: 2k Ω ~ 1M Ω	Current: 0 ~ 500 Ω
Resolution	Voltage: 0.3125mV (10V / 32000)	Current: 0.625uA (20mA / 32000)
Digital Output	0 ~ 32000	
Comprehensive Accuracy	$\pm 1\%$ full range	

Analog Output Specifications (L0402A)

Connection	Barrier terminal block (end point distance: 7.62mm)	
Form	Voltage or current optional	
Negative Common	VO-	
Range	Voltage: 0 ~ 5V, 0 ~ 10V -5 ~ +5V, -10 ~ +10V	Current: 0 ~ 20mA, 4 ~ 20mA
Resistance	Voltage: 2k Ω ~ 1M Ω	Current: <550 Ω
Resolution	Voltage (V): Full range / 32000	Current (mA): Full range / 32000
Digital Output	-16000 ~ +16000, 0 ~ 32000	
Comprehensive Accuracy	$\pm 0.1\%$ full range	

Instructions

1. Wiring the analog module and confirm that it is correct.



- Please isolate it from other power cables.
- If the analog input or output is disturbed by noise, it can be connected with 0.1 ~ 0.47uF/25V capacitor or a ferrite magnetic ring.

Instructions (Continued)

2. After connecting all expansion modules with expansion module cables, the main module is powered up.
 - Connect up to 8.
 - According to the distance from the main module from near to far, the expansion modules are numbered 0, 1, 2, 3, 4, 5, 6, 7.
3. Write user instructions to achieve read and write functions.
 - See page 14 for instruction description.
 - See page 16 for the description of the module data address.
 - The configuration wizard function of HCStudio (programming software) can be used to configure the initial parameters of the module.

Instruction Description (FROM, TO, RD3A)

Read Input Data

FROM S1 S2 S3 S4

S1: Module number.

S2: Module data read starting address.

S3: Read the data storage register.

- When reading multiple data, the read data is stored sequentially from this address.

S4: Read data length.

Write Output Data

TO S1 S2 S3 S4

S1: Module number.

S2: Module data write start address.

S3: Write the data register.

- When writing multiple data, write data sequentially from this address.

S4: Write data length.

Instruction Description (FROM, TO, RD3A) (Continued)

Read Analog Input Value

RD3A S1 S2 S3

S1: Module number.

S2: Analog input channel number.

- 0: AI1, VI1;
- 1: AI2, VI2;
- And so on.

S3: Store the analog input channel data set by S2.

Note: The read value is the analog input value that refreshes the cache periodically. It is recommended to use this instruction to read the analog input.

Module Data Address Description (L0303A/L0800A)

HC10-L0303A		
Module Data Address	Data Content	Read/Write
0	Module type (0x20)	Read only
1	Software version (V100)	Read only
2 ~ 4	Reserved	/
5 ~ 7 ¹⁾	AI1 ~ AI3, VI1 ~ VI3	Read only
8 ~ 10 ¹⁾	AO1 ~ AO3, VO1 ~ VO3	Read and write
11 ²⁾	Current and voltage selection	Read and write

HC10-L0800A		
Module Data Address	Data Content	Read/Write
0	Module type (0x21)	Read only
1	Software version (V100)	Read only
2 ~ 4	Reserved	/
5 ~ 12 ¹⁾	AI1 ~ AI8, VI1 ~ VI8	Read only
13 ²⁾	Current and voltage selection	Read and write

1): 0.0 ~ 10.0V or 0.0 ~ 20.0mA, corresponding 0 ~ 32000.

2): 0 is voltage type (default), 1 is current type.

Set the channel in binary, starting from Bit0.

- Bit0 corresponds to AI1/VI1/AO1/VO1;
- Bit1 corresponds to AI2/VI2/AO2/VO2;
- And so on.

Module Data Address Description (L0402A)

HC10-L0402A		
Module Data Address	Data Content	Read/Write
0	Module type (0x22)	Read only
1	Software version (V500)	Read only
2 ~ 4	Reserved	/
5 ~ 8	AI1 ~ AI4, VI1 ~ VI4	Read only
13, 14	AO1, AO2, VO1, VO2	Read and write
21, 22	Input filter coefficient	Read and write
25	Input range selection	Read and write
27	Output range selection	Read and write
29	Channel enable	Read and write

Module Data Address Description (L0402A) (Continued)

21, 22: Input Filter Coefficient

Module Data Address	Bit15 ~ Bit8	Bit7 ~ Bit0
21	AI2/VI2	AI1/VI1
22	AI4/VI4	AI3/VI3

Can be set to 0 ~ 255.

- 0: No filtering (default);
- 1: The filtering effect is the weakest;
- 255: The filtering effect is the strongest and the data is the most stable, but it may cause data lag.

Module Data Address Description (L0402A) (Continued)

25, 27: Input and Output Range

Module Data Address	Bit15 ~ Bit12	Bit11 ~ Bit8	Bit7 ~ Bit4	Bit3 ~ Bit0
25	AI4/VI4	AI3/VI3	AI2/VI2	AI1/VI1
27	/	/	AO2/VO2	AO1/VO1

The values set by each channel are shown in the table below.

Channel	Value	Range (Analog)	Range (Digital)
AI/VI AO/VO	0000	0 ~ 10V (default)	0 ~ 32000
	0001	0 ~ 5V	0 ~ 32000
	0100	-10 ~ +10V	-16000 ~ +16000
	0101	-5 ~ +5V	-16000 ~ +16000
	0010	0 ~ 20mA	0 ~ 32000
	0011	4 ~ 20mA	0 ~ 32000
AI/VI	0100	-20 ~ +20mA	-16000 ~ +16000

29: Channel Enable

Module Data Address	Bit15 ~ Bit12	Bit11	Bit10	Bit9	Bit8	Bit7 ~ Bit2	Bit1	Bit0
29	/	AI4/VI4	AI3/VI3	AI2/VI2	AI1/VI1	/	AO2/VO2	AO1/VO1

1 is enable (default), 0 is disable.

Expansion Module Type

According to the distance from the main module from near to far, the expansion modules are numbered 0, 1, 2, 3, 4, 5, 6, 7.

Number	1st	2nd	3rd	4th
Module Number	0	1	2	3
Mapped Address	D8265	D8267	D8269	D8271
Data	0x20: L0303A, 0x21: L0808A, 0x22: L0402A			

Number	5th	6th	7th	8th
Module Number	4	5	6	7
Mapped Address	D8273	D8275	D8277	D8279
Data	0x20: L0303A, 0x21: L0808A			

Hpmont Group Company

Shenzhen Hpmont Technology Co., Ltd.

Add: Building 28, Wangjingkeng Industry Park, Xili Town, Nanshan District, Shenzhen, China

Tel: +86 755-26791688

Fax: +86 755-26558128

Email: marketing@hpmont.com

HPMONT (Hong Kong) Co., Ltd.

Add: Room 709, 7/F, Silvercord Tower 1, 30 Canton Road, Tsim Sha Tsui, -Kowloon, Hong Kong

Tel: +852 6607 2243

Email: info.hk@hpmont.com.hk

Hpmont (Turkey) Teknoloji Ltd. Sti.

Add: Floor 3, Building 20, Fil Yokuşu Street, Cevizli District, Maltepe/Istanbul

Tel: +90 533 261 38 76

Email: info.tr@hpmont.com.hk

www.hpmont.com

Mont Korea Co., Ltd.

Add: Ace pyungchon tower, #811, 361 Slimin-daero, Dongan-gu, Anyang-si, Gyeonggi-Do, 14057

Tel: +82-31-345-8181

Email: info.kr@hpmont.com.hk

Hpmont (Malaysia) Sdn Bhd

Add: VO3-11-20, Lingkaran SV, Sunway Velocity, 55100 Kuala Lumpur

Tel: +603 9202 8812

Email: info.ma@hpmont.com.hk

Hpmont (Taiwan) Co., Ltd.

Add: 17F., No. 368-3, Sec. 2, Gaotie S. Rd., Zhongli Dist., Taoyuan City 320, Taiwan

Tel: +886 905 333 600

Email: info.tw@hpmont.com.hk